

## REGULATIONS FOR MEMORIALS AND TABLETS AT ST ANDREW'S CEMETERY, HAMBLE.

The Parish Council's Policy is to provide a space for quiet contemplation, whilst supporting biodiversity as the cemetery provides an important green corridor for wildlife. The cemetery will be managed on a naturalistic basis, with grass mown infrequently in some areas.

It is intended that St Andrew's Cemetery be a cemetery laid to grass as far as possible and to kept free of anything that impedes the cutting of grass. This means that kerbs, railings, bird baths and stone chippings are not permitted on or around grave or cremation plots.

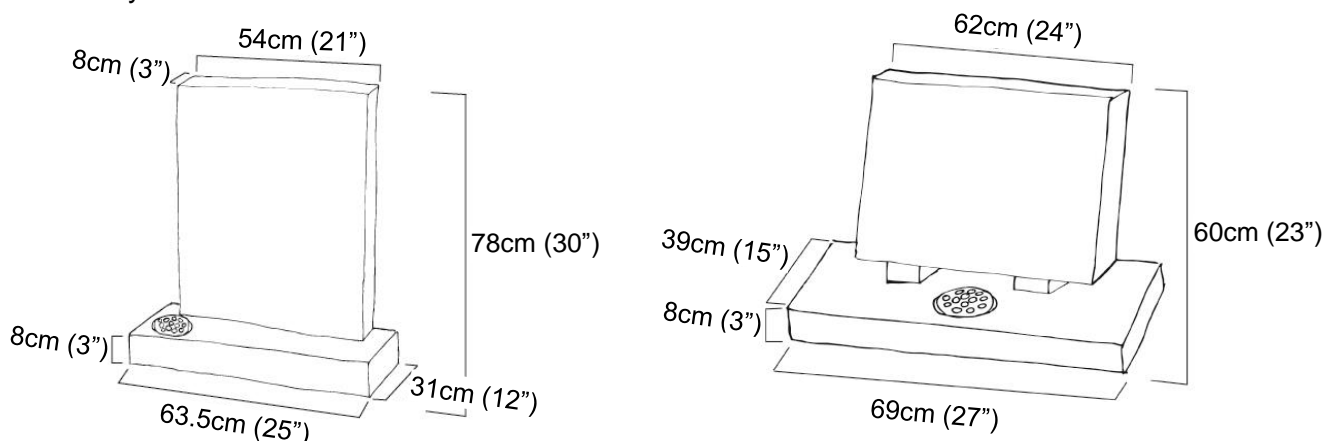
**The Parish Council has a statutory duty to ensure risks within the Council's cemetery are properly managed and these regulations are in place to ensure the safety of all those working at and visiting the cemetery.**

These regulations are in addition to the provisions of the Local Authorities Cemeteries Order 1977 and any other appropriate laws or statutes currently in force.

All memorials shall be fixed according to BS8415 and the relevant Codes of Practice or Guidance.

All memorial masons undertaking work at St Andrew's Cemetery shall be suitably qualified, registered with BRAMM or RQMF and provide proof of public liability, and if applicable, employer's liability insurance and provide:

- a. Health and Safety Policy and Risk Assessment relating to work in the cemetery including assessments for:
    - safe working with vehicles in public areas
    - safe fixing of structures.
  - b. Safe method of working statement specific to the job
  - c. Public Liability Insurance and if applicable employer's liability insurance
1. Application forms including a detailed sketch of each proposed memorial giving full details and dimensions in millimetres and inches, together with the grave owner's consent must be submitted to the parish office for approval. Forms are available on [www.hambleparishcouncil.gov.uk](http://www.hambleparishcouncil.gov.uk).
  2. Memorials and tablets may not be erected or removed from the cemetery without the written consent of the Clerk and the written permission of the owner of the Grant of Exclusive Right of Burial. At least two working days notice must be given.
  3. Exclusive Right of Burial must be purchased for a burial or ashes plot before a memorial can be installed or replaced. This applies to existing plots where Exclusive Right of Burial may not have been purchased at the time of the original burial or ashes interment.
  4. All memorials are to be of natural stone (grey, black or white) and must not be coloured. No Bath, Caen, or other soft stone shall be allowed in the construction of any memorial. The Parish Council reserves the right to reject applications for memorials with stones of uneven thickness.
  5. Only tablets are permitted on cremation plots. The Maximum outside measurements for memorial tablets is 460mm x 380mm. Memorial tablets must be laid directly into the ground and not exceed current ground level by more than 5cm. In the new mixed area of cremated remains and burial plots memorial tablets must be fitted flush with the surrounding ground level.
  6. The maximum outside measurements, above ground level, for memorial headstones erected within the Cemetery are shown below:



7. All memorial headstones are to be laid firm, level and square with accredited ground anchors. Foundation slabs must be laid below ground level in accordance with BRAMM and NAMM lawn memorial fixing guide lines and memorials must not be mounted on multiple bases. No rails, wooden edging, chains of any description or glass wreath cases are allowed.
8. The memorial mason must mark the reverse of the memorial in the lower right corner with the plot number in letters no higher than 1.5cm. The mason's name may be inscribed on the reverse in unpainted and unleaded letters no larger than 1.5cm in height.
9. All monumental work shall be finished prior to the placement of any memorial, excepting the execution of a second inscription for which permission must be obtained. Inscriptions shall be gilded, leaded or painted lettering of gold or black only.
10. A copy of the RQMF Certificate of Compliance must be delivered to the Parish Council within 14 days of installation
11. No advertising boards, tablets or cards can be placed on or around a memorial. No form of advertisement may be displayed in any part of the cemetery.
12. Memorials will be inspected before and after installation. If the measurements or method of fixing do not comply with those authorised or relevant standards the Stonemason must remove it immediately and rectify at their own expense. Failure to remove non-compliant memorials or misrepresentation will mean a mason is refused access to St Andrew's Cemetery.
13. Carrying out, or attempting to carry out, unauthorised memorial installation or alterations will be treated very seriously by the Parish Council and will be reported to the police, relevant authorities and trade bodies.
14. Trees, shrubs and bushes must not be planted on grave or ashes plots as these undermine memorials and make them unsafe.

**Some older existing graves and ashes plots may have larger and different style memorials due to historical practice or regulations. This does not set a precedent for new memorial applications**

Applications forms and Burial Regulations are available at [www.hambleparishcouncil.gov.uk](http://www.hambleparishcouncil.gov.uk)